

ATENTO 2.0 CLASSIC/GRAND

THE AM SYSTEM WITH REMOTE SYSTEM MANAGEMENT



ATENTO 2.0 CLASSIC
CA78L/F1

ATENTO 2.0 GRAND
CA78X/F1



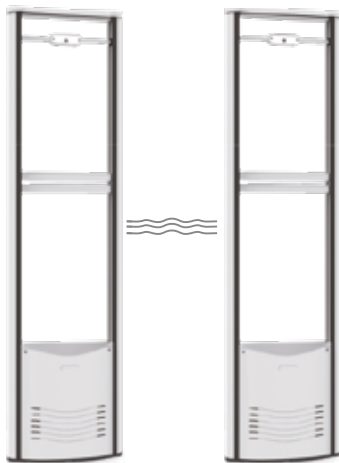
ADDING VALUE TO RETAIL

Remote system management allows retailers to manage their EAS antennas with remote tuning and real time system monitoring. The Atento antennas come in an ABS design in a standard size, but also in a design which has been developed for stores with wider aisles. Adding the optional visitor counter to this antenna makes the Atento 2.0 Classic/Grand the optimal security solution to improve store aesthetics and to boost sales.



FEATURES

- Remote system management**
 Remote antenna tuning, online device monitoring and management and online technical support
- Visitor counting (optional)**
 Making it easy to collect customer flow data
- Aesthetically pleasing design**
 Made from ABS
- Superior performance**
 Consistent detection capabilities
 Higher noise immunity
- Easy installation with cost effectiveness**
 Built-in electronics within the base cover
 Increase work-efficiency
- Applicable for various store aisles**
 Up to 2.6m (8.5ft) detection distance
 Classic and Grand for your choice
 Applicable in various configurations



Higher noise immunity



Interference sources like

- lightsources
- displays
- computers
- escalators

Dimensions

| CA78L/F1 | CA78X/F1 |
|----------------------|----------------------|
| Height: 1548mm / 61" | Height: 1600mm / 63" |
| Width: 405mm / 16" | Width: 500mm / 20" |
| Depth: 130mm / 5" | Depth: 132mm / 5" |

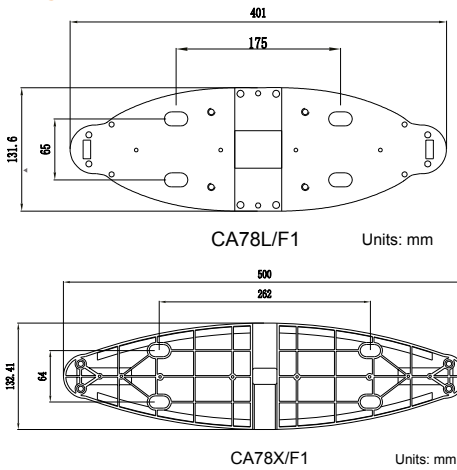
Aisle width

CA78X/F1: up to 2.6m
 CA78L/F1: up to 2.2m



Central frequency
 58KHz

BASE



SPECIFICATIONS

| | |
|-------------------|--|
| Central Frequency | 58KHz |
| Power Consumption | 60W |
| Fuse of PSU | 20A |
| Current(max.) | 0.26@230V, 0.5A@120V |
| Voltage | 110V/220V |
| Weight | CA78L/F1C: 19.8kg CA78L/F1S: 18.5kg CA78X/F1C: 25.6kg CA78X/F1S: 24.3kg |
| Alarm Volume | 100-130dB |
| Application Guide | Fashion Stores |

PRODUCT CODES

| Name | Code | Description | Remark |
|--------------------|-----------|-----------------------------------|---|
| ATENTO 2.0 Classic | CA78L/F1 | Antenna Frame | Frame with antenna coils, without electronics |
| | CA78L/F1C | Master Antenna, incl. power cable | Stand-alone |
| | CA78L/F1S | Slave Antenna, incl. cable kit | Works with CA78L/F1C |
| ATENTO 2.0 Grand | CA78X/F1 | Antenna Frame | Frame with antenna coils, without electronics |
| | CA78X/F1C | Master Antenna, incl. power cable | Stand-alone |
| | CA78X/F1S | Slave Antenna, incl. cable kit | Works with CA78X/F1C |

SYSTEM CONFIGURATION

